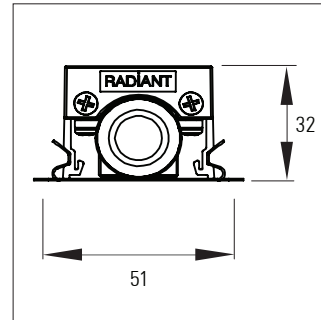
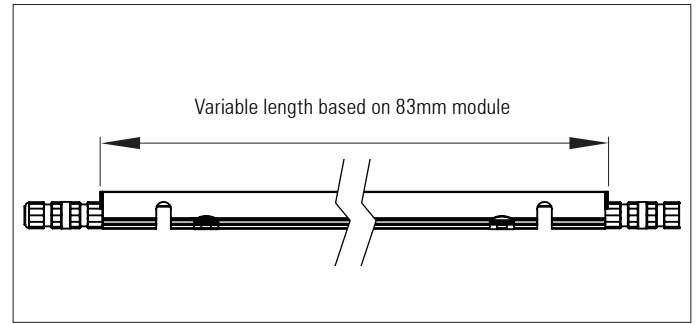
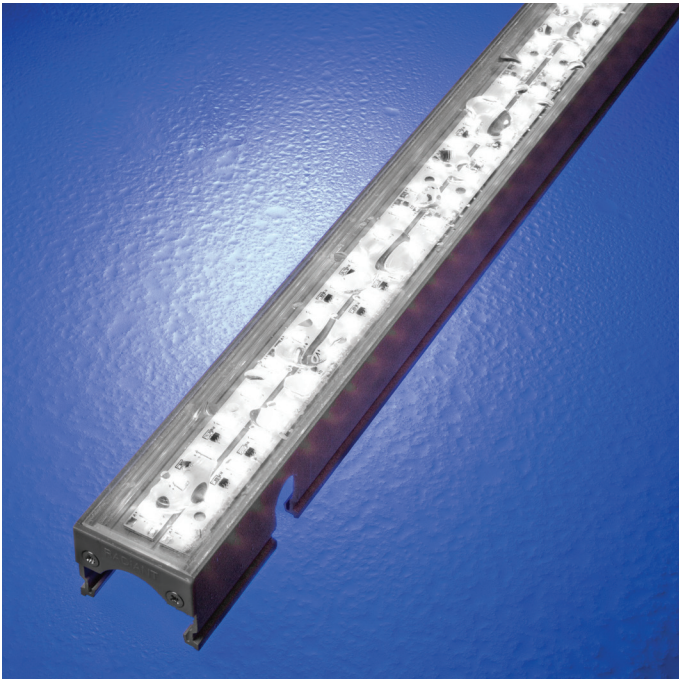


# Euclid 40 IP 65

LED linear lighting system IP 65



## Euclid 40 system

IP 65 rated LED linear lighting system

### Product description:

Exterior cove lighting applications

Integral DC to DC low voltage drivers. Remote 24 V DC power supply

0.3 Watt Samsung / Osram LEDs, without lenses

Up to 40 Watts per Mtr

Various LED colour temperature and CRI options available

Anodized or any RAL paint colour finish

Radiant can supply this system in custom lengths based on a 83 mm module. Minimum length 170mm up to a maximum of 2.5 mtrs

Various mounting options and bracket types are available

16 Amp IP67 connectors join strips together on-site

Various dimming options available: 1 - 10, DALI, DMX. Separate dimming channel

Side, back and end power feed options allow continuous lighting without dark areas - LED pitch is maintained between the individual luminaires

Up to 3,600 Lumens per mtr

| Product Code   | IP | No. of LEDs per mtr. | Length (mm)                                    | Colour Temp. (K)  | CRI      | Optics | Bracket Type         | Cover            | Feed        | Finish                         |
|----------------|----|----------------------|--|---|----------|--------|----------------------|------------------|-------------|--------------------------------|
| EUCLID 40 IP65 | 65 | 144=25mm LED spacing | 170mm<br>-increments of 83mm up to-<br>2,500mm | 27=2,700k<br>30=3,000k<br>35=3,500k<br>40=4,000k<br>45=4,500k<br>50=5,000k<br>RGB<br>RGBW<br>RGBA | 80<br>90 | 120°   | Spring clip<br>Fixed | Clear<br>Frosted | End<br>Back | Anodized<br>Any RAL-<br>colour |