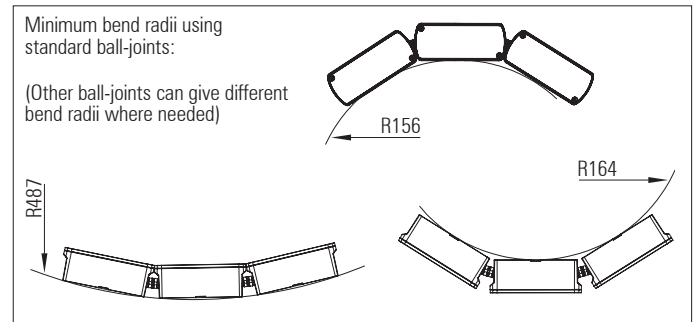
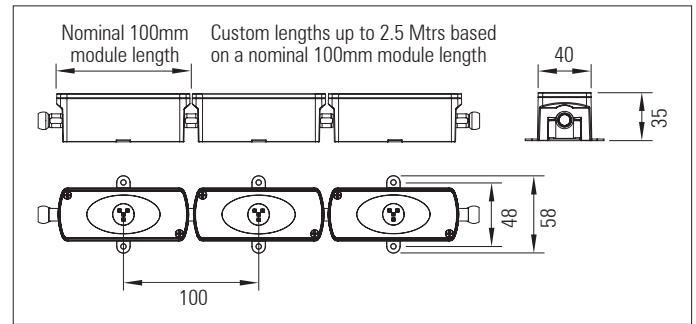


## 3D LED Flex 40 Tunable-white IP20

1 x Tunable-white LED array with asymmetric white reflector per module

Modular, 3D flexible LED linear lighting system



### 1 x Tunable-white LED array with asymmetric white reflector per module

Modular, 3D flexible LED linear lighting system

#### Product description:

For use in interior lighting applications where the building surfaces are non linear with curved profiles

Each module - Tunable-white 4 x Luxeon Z, Cree XPG or Nichia CSD LEDs

High efficiency asymmetric white reflector

Up to 4.5 Watts per 100mm module. Up to 48 V DC supply

Flexible in 3 dimensions - Articulated ball-joint system between modules

LED pitch is maintained between the modules

Side, back and end power feed and connector options allow for continuous lighting with no dark areas between fixtures. 16 Amp IP20 connectors join fixtures together on-site

Integral LV constant current driver or remote Eldoled 4 Channel DMX driver

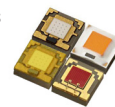
Remote DMX / DALI controller can be located up to 50 mtrs from the LED system

Satin black, satin white or any RAL paint colour finish

Custom lengths based on a 100 mm module up to 2.5 mtrs

Various mounting options and bracket types are available

Custom combinations of different colour temp. white-light LEDs can be specified



Up to 5,500 Lumens per mtr

Product Code	No. of LEDs per mtr.	IP	Length (mm)	LED Type	Optics (°)	Colour Temp. (K)	CRI	Cover	Feed	Finish
RAD 3D LED FLEX 40 IP20 TW - 4	40 LEDs per Mtr: (100mm spacing between LED arrays)	20	100mm -increments of 100mm up to- 2,500mm	LUMILED: Luxeon Z, Z ES, CZ or Rubix  Cree: XPE or XPG  Nichia: CSD	120°	Specify all 4x LEDs in cluster: 18=1,800k 22=2,200k 27=2,700k 30=3,000k 35=3,500k 40=4,000k 50=5,000k 57=5,700k 65=6,500k	80 90	Clear Frosted Opal	End Back Side	Black White Any RAL colour

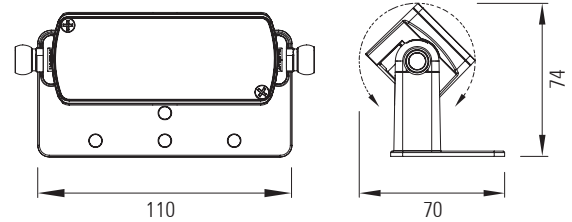
## 3D LED Flex 40 Tunable-white IP20

1 x Tunable-white LED array with asymmetric white reflector per module

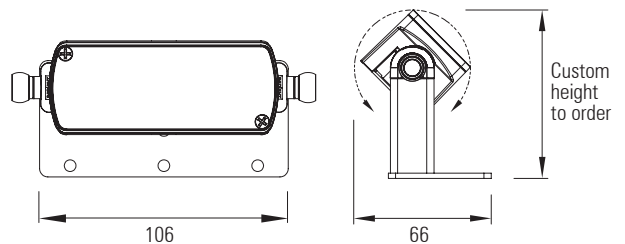
Adjustable angle mounting bracketry



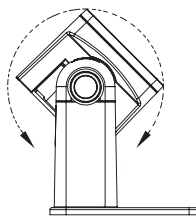
Standard IP20 adjustable angle mounting bracket  
Polycarbonate. Black or white finish.



Custom height IP20 adjustable angle mounting bracket  
Aluminium. Powder coat finish.



The angle of the modules can be adjusted by hand on-site



### Adjustable angle mounting bracketry for 3D LED Flex 40 IP20 1 x Tunable-white LED array with asymmetric white reflector per module

The 3D LED Flex 40 system is flexible in 3 dimensions, which allows it to follow curved building contours. Once they have been fixed to the building surface, adjustable angle brackets allow the modules to be rotated around the major axis, so that the light output can be aimed precisely.

The angle of the modules can be adjusted by hand easily on-site. The friction ball-joint system keeps the modules correctly positioned. There is also a lockable option, which allows each module to be locked in place using an Allen key once it is correctly positioned.

A standard height version and a custom height version are available.

Custom options are also available.

The standard height bracket is made from polycarbonate and is available in black or white.

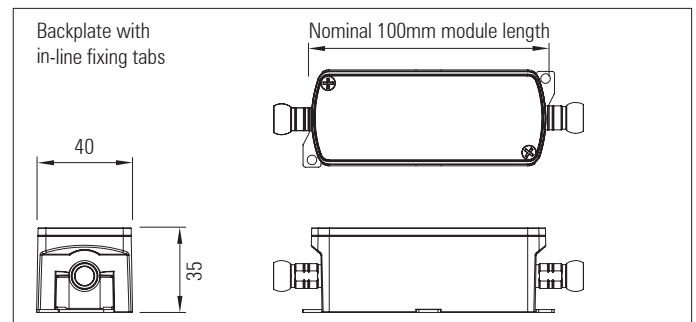
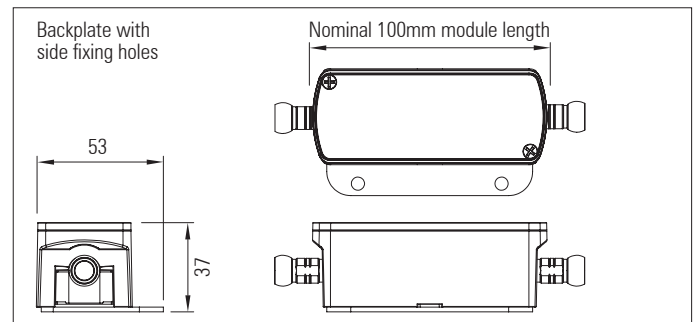
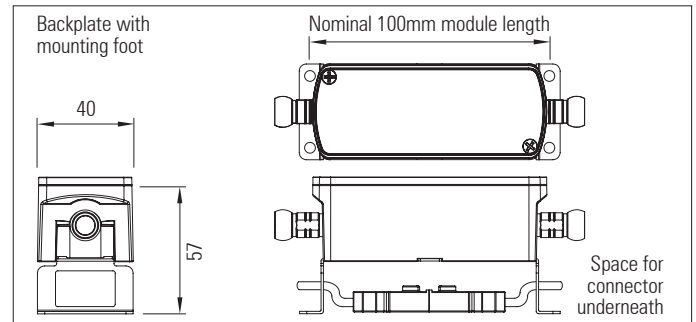
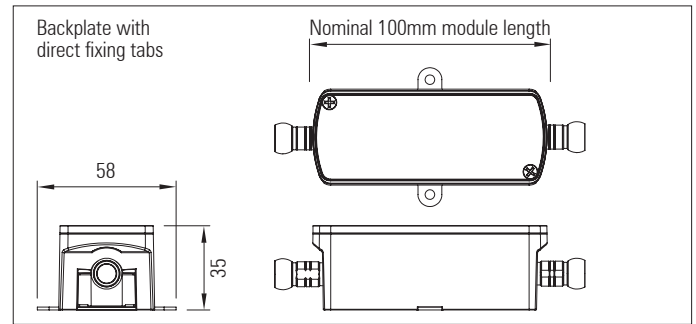
The custom-height bracket is made from aluminium with a powder coat finish which is available in satin black, satin white or any RAL paint colour finish.

Product code	IP	Finish	Height of legs (mm)
RAD 3D LED FLEX 40 IP20 ADJUSTABLE ANGLE BRACKET STANDARD PC	20	Polycarbonate: Black White	Custom height version only: 20mm
RAD 3D LED FLEX 40 IP20 ADJUSTABLE ANGLE BRACKET CUSTOM HEIGHT AL		Aluminium: Black White Any RAL colour	-increments of 5mm up to- 300mm

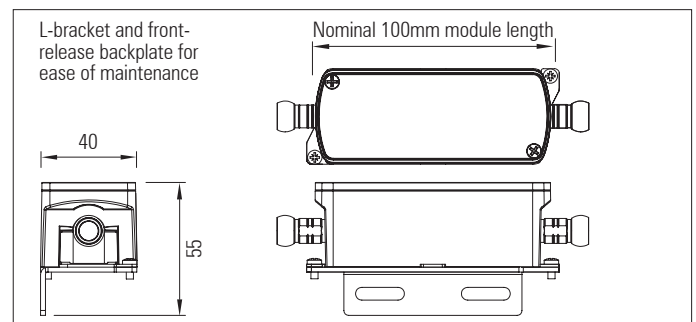
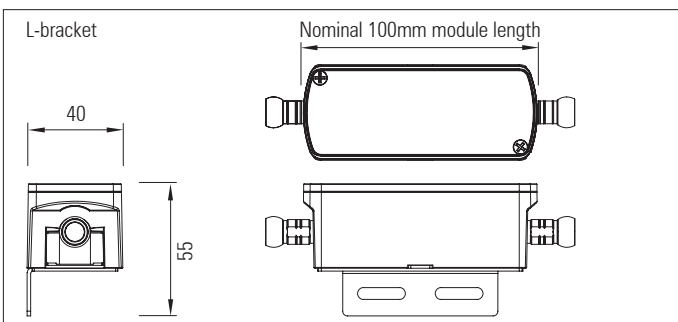
## 3D LED Flex 40 Tunable-white IP20

1 x Tunable-white LED array with asymmetric white reflector per module

Fixed angle mounting bracketry



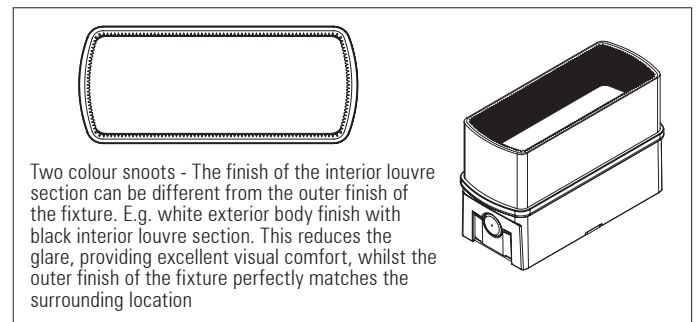
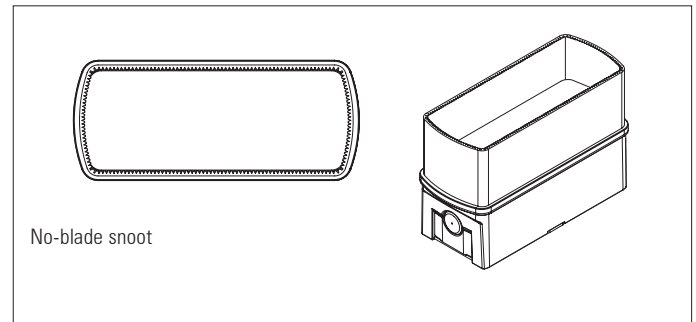
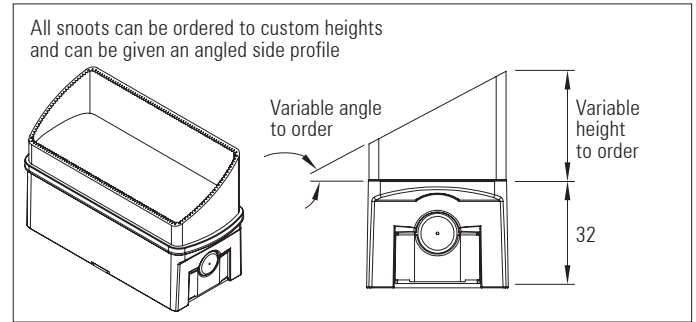
Product code	IP	Finish
RAD 3D LED FLEX 40 IP20 FIXED ANGLE BRACKET DIRECT FIXING TABS	20	Black White Any RAL colour
RAD 3D LED FLEX 40 IP20 FIXED ANGLE BRACKET WITH MOUNTING FOOT		
RAD 3D LED FLEX 40 IP20 FIXED ANGLE BRACKET SIDE FIXING		
RAD 3D LED FLEX 40 IP20 FIXED ANGLE BRACKET IN-LINE FIXING		
RAD 3D LED FLEX 40 IP20 FIXED ANGLE L-BRACKET FRONT RELEASE		
RAD 3D LED FLEX 40 IP20 FIXED ANGLE L-BRACKET		



# 3D LED Flex 40 Tunable-white IP20

1 x Tunable-white LED array with asymmetric white reflector per module

Anti-glare accessories



Two colour snoots - The finish of the interior louvre section can be different from the outer finish of the fixture. E.g. white exterior body finish with black interior louvre section. This reduces the glare, providing excellent visual comfort, whilst the outer finish of the fixture perfectly matches the surrounding location

### 3D LED FLEX 40 anti-glare accessories

For use with the 3D LED Flex 40 system IP20 to control light glare from the LEDs when the fixtures are not fully recessed

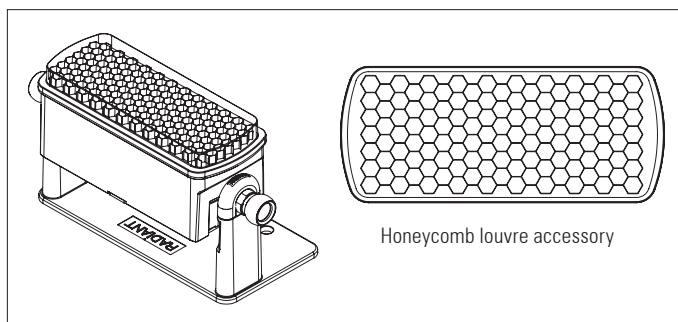
Satin black, satin white or any RAL paint colour finish. Two colour versions are also available - eg. white finish on exterior & black finish on interior of snoot. Both interior and exterior parts can be any RAL colour paint finish, or any anodised finish

Custom height to order

Straight or any custom cut-angle side profile to order

The honeycomb louvre accessory provides excellent glare control with a low profile

Product Code	No. of blades	IP	Height (mm)	Cut angle of side-profile (°)	Finish
RAD 3D LED FLEX 40 SNOOT	0 1 3	20	20mm -increments of 5 mm up to- 100mm	0° -increments of 5° up to- 75°	Black White Any RAL colour Two colour - both parts can be any anodised or any RAL colour
RAD 3D LED FLEX 40 HONEY-COMB	NA	20	NA	NA	Black



Honeycomb louvre accessory