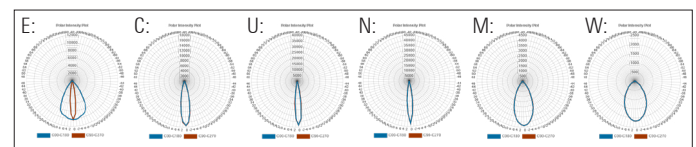
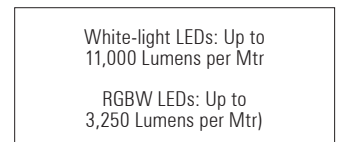
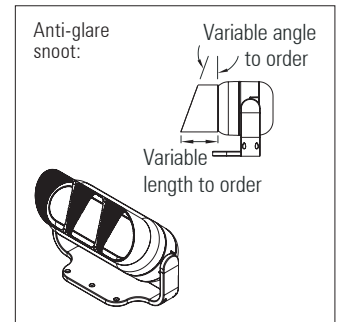
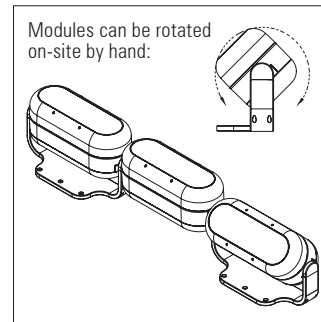
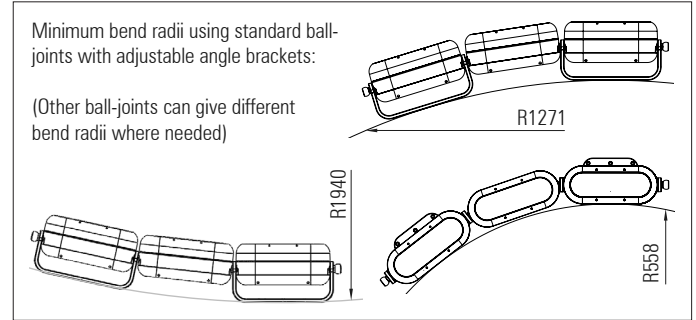
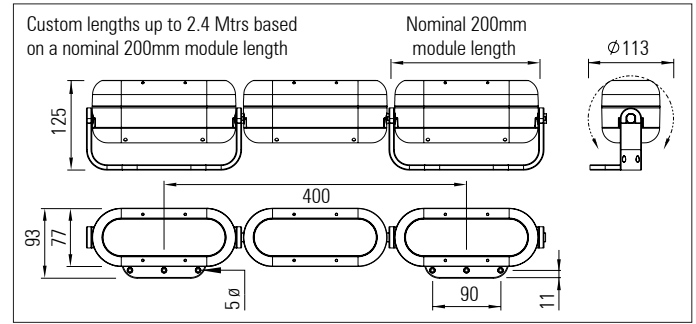
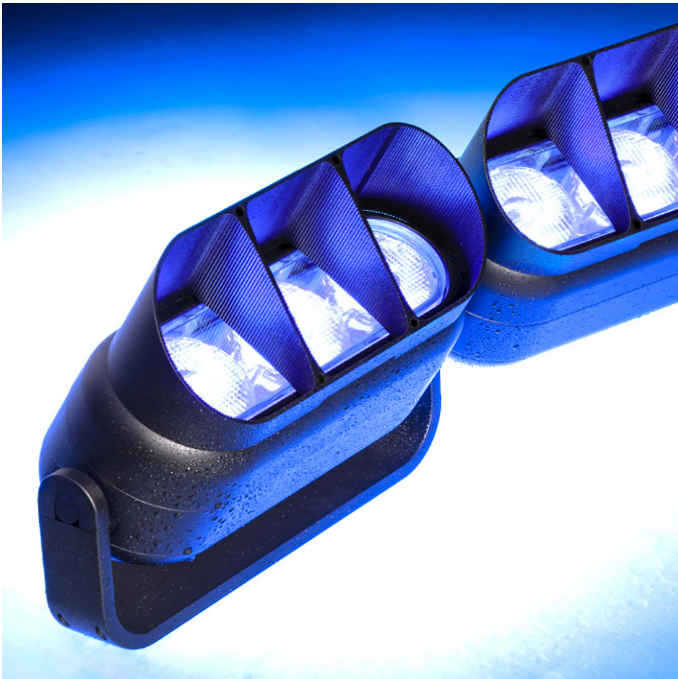


3D LED Flex system 200 RGBW IP66

RGBW or tunable white LED arrays with colour-blending lenses

Modular, 3D flexible LED linear lighting system



1, 2 or 3 x high-power RGBW or tunable white LED cluster arrays with collimator lenses, per 200mm module

Modular, 3D flexible LED linear lighting system IP66 RGBW or tunable white

Product description:

Developed for use in a wide variety of large-scale exterior architectural lighting projects requiring highly controlled lighting effects for wall grazing and wall wash lighting, where the building surfaces are non-linear with curved profiles and facades

Each module comprises of: 1, 2 or 3 x LED cluster arrays, each comprising of 4x Luxeon Z or CZ white-light or RGBW LEDs with a ϕ 45mm Gaggione colour-blending lens

Up to 25 Watts per 200mm module

Flexible in 3 dimensions - Articulated ball-joint system between modules. Hand bendable

Side, back and end power feed and connector options allow for continuous lighting with no dark areas between fixtures. 17.5 Amp IP68 connectors join strips together on-site

Integral AC to DC constant current drivers for white and RGBW LED allow long lengths to be powered from a single power feed. AC mains voltage input

Each of the 4 LEDs within the clusters of 4 LEDs can be a different colour, or white light colour temperature. Custom combinations can be specified. See grid for options

Dimming options available: 1-10V, DMX and DALI. Separate dimming channel

Satin black, satin white or any RAL paint colour finish

Custom lengths based on a 200 mm module length up to 2.4 mtrs

Various mounting options and bracket types are available including custom designs

Anti-glare snoot accessories provide excellent glare control

| Product Code | IP | Length | No. LEDs | LED Type | LED Colour / Colour Temp. (K) | CRI | Optics (°) | Bracket Type | Anti-glare Snoot | Feed | Finish |
|-----------------------------------|----|--|----------------------------------|--------------------------------------|--|--|--|------------------|---|------------------------|----------------------------|
| RAD 3D LED FLEX 200 IP 66 RGBW-1L | 66 | 200mm - increments of 200mm up to -2,400mm | 1x array per module: 200mm pitch | LUMI-LEDs: | Specify all 4x LEDs in cluster: | | LUXEON Z LEDs with Gaggione LLC59: E: 8.2x31.3° C: 11.7° U: 8.1° N: 7.6° M: 24.1° W: 32.2° | Adjustable angle | Cut-angle: 0° - 75° (increments of 5°) | End Back Side | Black White Any RAL-colour |
| RAD 3D LED FLEX 200 IP 66 RGBW-2L | | | 2x array per module: 100mm pitch | Cluster of 4 x LUXEON Z or CZ LEDs - | Far Red, Red, Deep Red, Red-Orange, Amber, PC Amber, Mint, Lime, Green, Cyan, Blue, Royal Blue, Violet | 22=2,200k 27=2,700k 30=3,000k 35=3,500k 40=4,000k 50=5,000k 57=5,700k 65=6,500k | | 70 80 90 | | | |
| RAD 3D LED FLEX 200 IP 66 RGBW-3L | | | 3x array per module: 56mm pitch | RGBW | | | | | Custom height adjustable angle (specify leg height) | Height: specify height | |