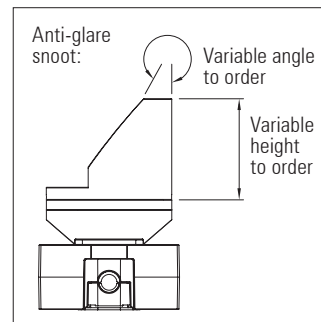
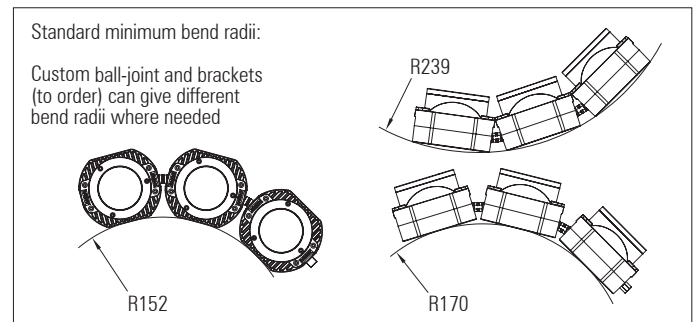
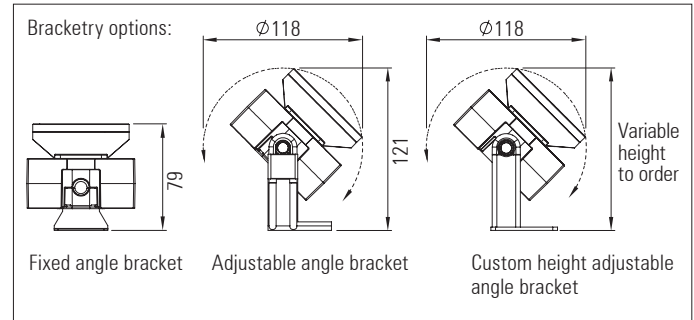
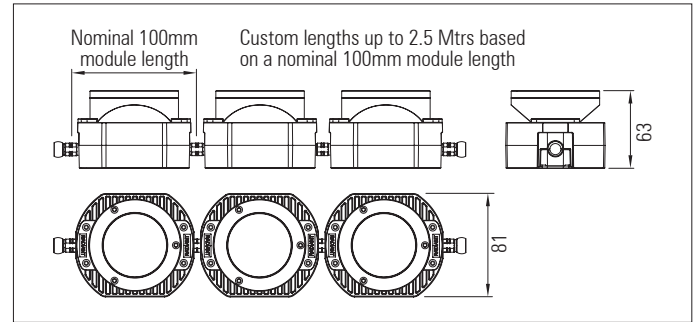


## 3D LED Flex system 100 RGBW IP66

1 x RGBW LED array with colour-blending lens per module  
Modular, 3D flexible LED linear lighting system



### 1 x RGBW LED array with Gaggione-blending lens per module

Modular, 3D flexible LED linear lighting system

#### Product description:

For use in exterior lighting applications where the building surfaces are non linear with curved profiles

Each module - 4 x Luxeon Z or C LEDs, with a highly efficient colour-blending Gaggione lens

Up to 10 Watts per 100mm module. Up to 48 V DC supply

Flexible in 3 dimensions - Articulated ball-joint system between modules

LED pitch is maintained between the modules

Side, back and end power feed and connector options allow for continuous lighting with no dark areas between fixtures. 17.5 Amp IP68 connectors join fixtures together on-site

Integral LV constant current driver or remote Eldoled 4 Channel DMX driver

Remote DMX / DALI controller can be located up to 50 mtrs from the LED system

Satin black, satin white or any RAL paint colour finish

Custom lengths based on a 100 mm module up to 2.5 mtrs

Various mounting options and bracket types are available

Product Code	No. of LEDs per mtr.	IP	Length (mm)	LED Type	Optics (°)	Colour Temp. (K)	CRI	Cover	Bracket Type	Feed	Finish
RAD 3D LED FLEX 100 IP66 RGBW - 4 L	40 LEDs per Mtr: (100mm spacing between LED arrays)	66	100mm -increments of 100mm up to- 2,500mm	Luxeon Z LEDs Luxeon C LEDs	Gaggione lenses: N - 5° M - 10° W - 17° E - 5x20°  (Guide figures)	27=2,700k 30=3,000k 35=3,500k 40=4,000k 45=4,500k 50=5,000k RGB RGBW RGBA Dynamic white	80 90	Clear	Adjustable Fixed Custom	End Back Side	Black White Any RAL-colour