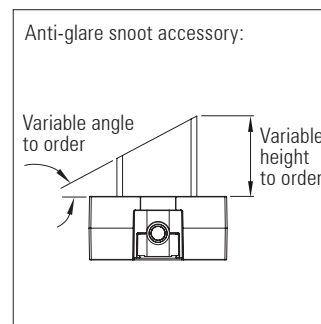
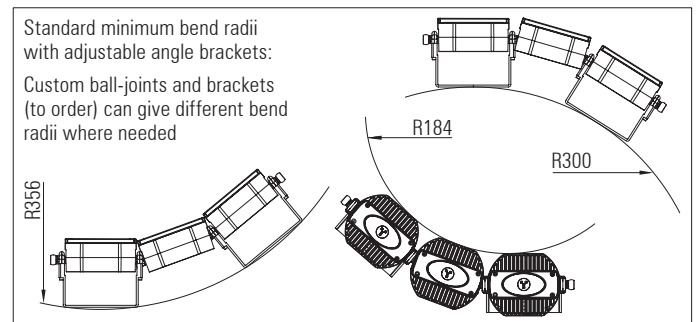
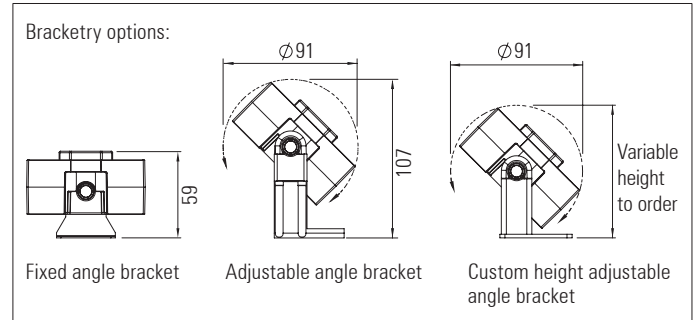
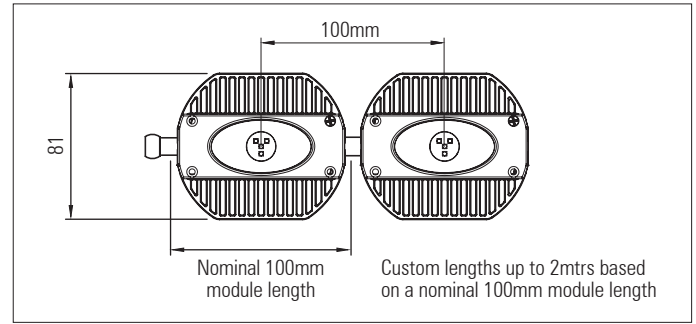
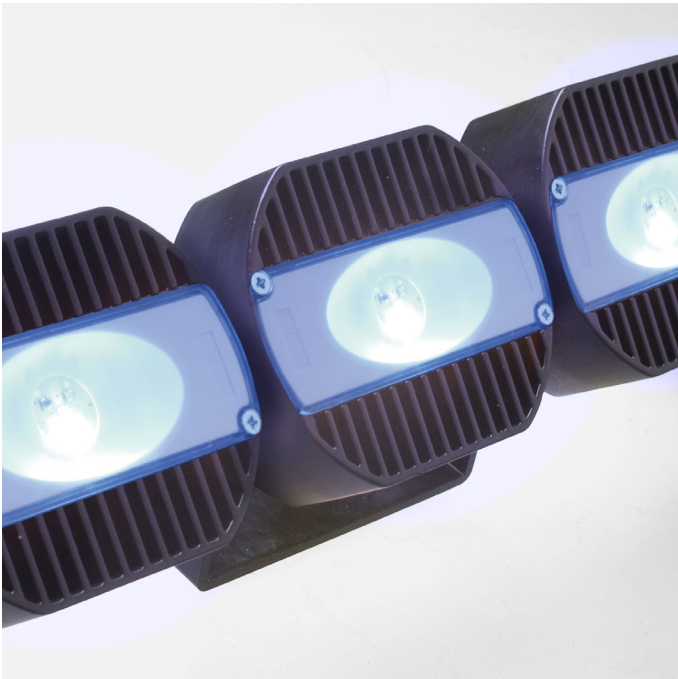


3D LED Flex system 100 RGBW IP20

1 x RGBW LED array with asymmetric reflector per module
Modular, 3D flexible LED linear lighting system



1 x RGBW LED array with asymmetric white reflector per module

Modular, 3D flexible LED linear lighting system

Product description:

For use in interior lighting applications where the building surfaces are non linear with curved profiles

Each module - 4 x Luxeon Z or C LEDs

High efficiency asymmetric white reflector

Up to 10 Watts per 100mm module. 30 Volt DC supply

Flexible in 3 dimensions - Articulated ball-joint system between modules

LED pitch is maintained between the modules

Side, back and end power feed options - continuous lighting between strips

Integral LV constant current driver or remote Eldoled 4 Channel DMX driver

16 Amp IP20 connectors join strips together on-site

Remote DMX / DALI controller can be located up to 50 mtrs from the LED system

Satin black, satin white or any RAL paint colour finish

Custom lengths based on a 100 mm module up to 2 mtrs

Various mounting options and bracket types are available

Product Code	No. of LEDs per mtr.	IP	Length (mm)	LED Type	Optics (°)	Colour Temp. (K)	CRI	Cover	Bracket Type	Feed	Finish
RAD 3D LED FLEX 100 IP20 RGBW - 4	40 LEDs per Mtr: 25mm pitch	20	100mm	Luxeon Z LEDs	120°	RGBW RGBA RGB	80 90	Clear Frosted Opal	Adjustable Fixed Custom	End Back Side	Black White Any RAL- colour
	20 LEDs per Mtr: 50mm pitch		-increments of 100mm up to- 2,000mm	Luxeon C LEDs							