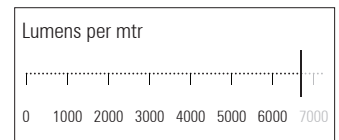
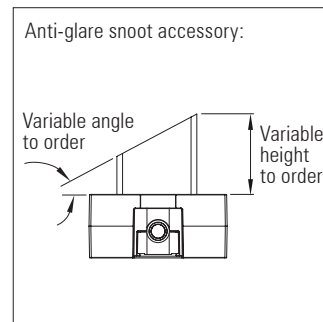
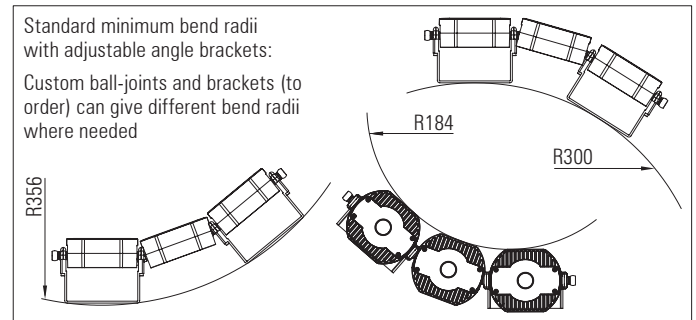
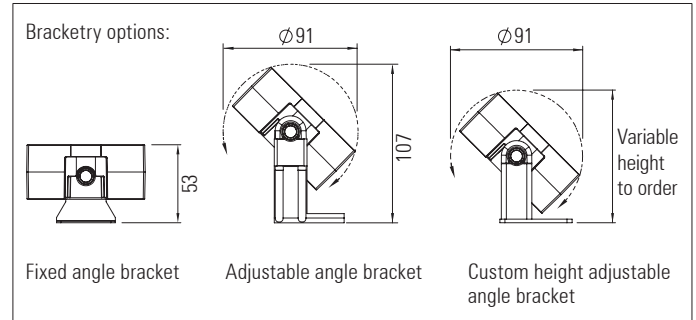
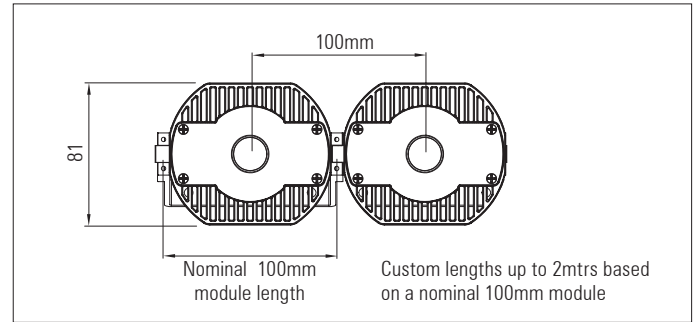


3D LED Flex system 100 IP20

1 x Xicato XTM LED COB per module

Modular, 3D flexible LED linear lighting system



1 x Xicato XTM LED COB per module

Modular, 3D flexible LED linear lighting system

Product description:

For use in indirect and direct architectural lighting projects including cove lighting, wall wash and wall grazing lighting applications where colour consistency between LED modules better than 2 MacAdam ellipses is required

Each module - 1 x Xicato XTM LED 19mm LES without optics

Remote phosphor Xicato LED modules offers the highest colour point stability over the life time of the modules

Up to 10 Watts per 100 mm module. 30 Volt - 48 Volt DC supply depending on application

Very high 98 CRI options available (refer to Xicato XTM LED 19mm LES data sheet)

Flexible in 3 dimensions - Articulated ball-joint system between modules

LED pitch is maintained between the modules

Side, back and end power feed options - continuous lighting between strips

Integral LV constant current driver

16 Amp IP20 connectors join strips together on-site. Side, back and end connector options - no dark areas between individual strips

Xicato modules have integrated connectors so can be easily replaced at the end of life

Dimming options available: 1 - 10V, DMX and DALI

Various LED colour temperatures available

Satin black, satin white or any RAL paint colour finish

Custom lengths based on a 100 mm module up to 2 mtr

Various mounting options and bracket types available

Product Code	No. of LEDs per mtr.	IP	Length (mm)	LED Type	Optics (°)	Colour Temp. (K)	CRI	Cover	Bracket Type	Feed	Finish
RAD 3D LED FLEX 100 Z3 IP20 XTM - 1	10 LEDs per Mtr: 100mm pitch	20	100mm -increments of 100mm up to- 2,000mm	Xicato XTM	120°	27=2,700k 30=3,000k 35=3,500k 40=4,000k Dynamic white (with 200mm LED spacing)	83 95 98 (Refer to Xicato XTM data sheet)	Clear	Adjustable Fixed Custom	End Back Side	Black White Any RAL-colour